

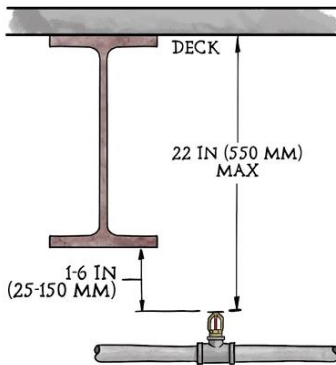
# HEIGHT: OBSTRUCTED CONSTRUCTION

LAYOUT FOR STANDARD SPRAY SPRINKLER SERIES BY MEYERFIRE UNIVERSITY | DECEMBER 2022

## SUMMARY

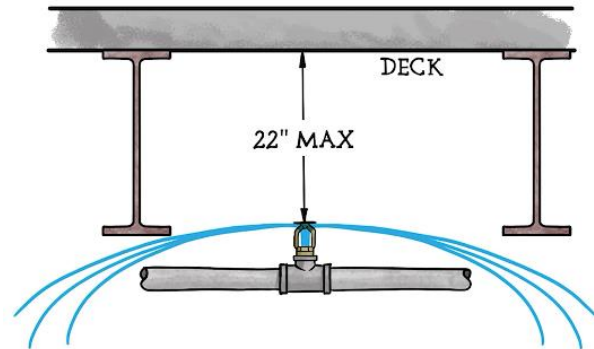
For **Standard Spray, Pendent & Upright sprinklers**, NFPA 13 provides direction on the specific **height that sprinklers are allowed to be installed**. There are five basic strategies (rules), any one of which can be followed.

- #1 General Rule: Locate the sprinkler 1-6 inches (25-150 mm) from bottom of structure, *and* within 22-inches (550 mm) from the deck.



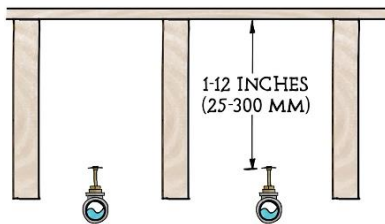
**(#1) The General Rule**

(Most commonly used approach for Obstructed Construction)



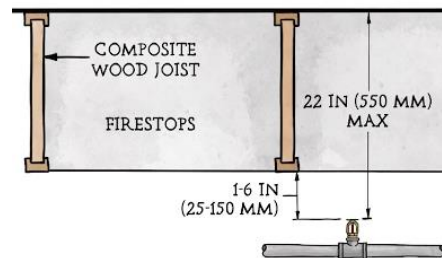
**(#2) Above Bottom of Structure**

(This approach must address throwing beneath or on both sides of obstructions, essentially meeting any obstruction rules)



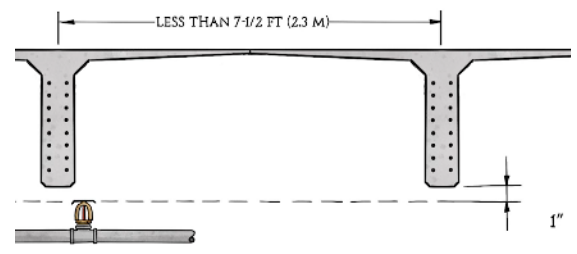
**(#3) Sprinklers in Each Bay**

(Deflector at 1-12 inches 25-300mm of deck)



**(#4) Composite Wood Joists**

(Note Firestops are Needed)



**(#5) Concrete Tees**

(Deflectors can be more than 22-inches down from the deck, as long as the deflector is within 1-inch of the bottom of the stem, or higher. Only applies to stems less than 7.5-ft 2.3 m on center)

## CODE/STANDARD REFERENCES



NFPA 13 – 2022: 10.2.6.1.2 Deflector Height for Standard Spray Pendants and Uprights in Obstructed Construction

## VIDEO LINK

[www.meyerfire.com/university/height-of-pendants-uprights-obstructed](http://www.meyerfire.com/university/height-of-pendants-uprights-obstructed)

## GET MORE LIKE THIS

This page is from MeyerFire University. Get updates & more here:  
[Join MeyerFire University](#) | [Course & Video Catalog](#) | [Video Library](#)