

SPRINKLER-TO-WALL SPACING

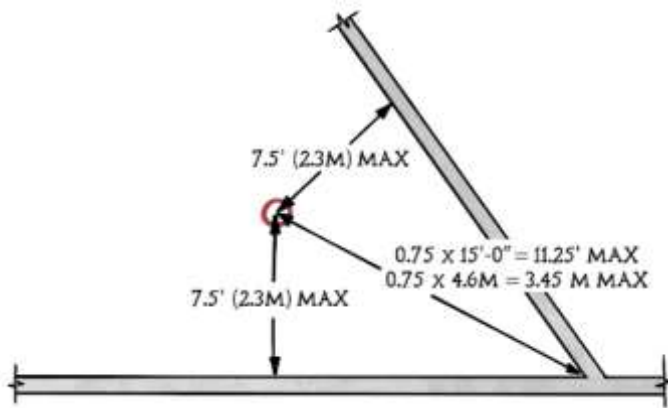
LAYOUT FOR STANDARD SPRAY SPRINKLERS SERIES BY MEYERFIRE UNIVERSITY | NOVEMBER 2022

SUMMARY

This segment covers spacing rules for spacing sprinkler to a wall in NFPA 13. In short, the maximum spacing from a sprinkler to an adjacent wall is **one-half of the allowable sprinkler-to-sprinkler spacing**. This comes from NFPA 13-2022 Section 10.2.5.2.1.

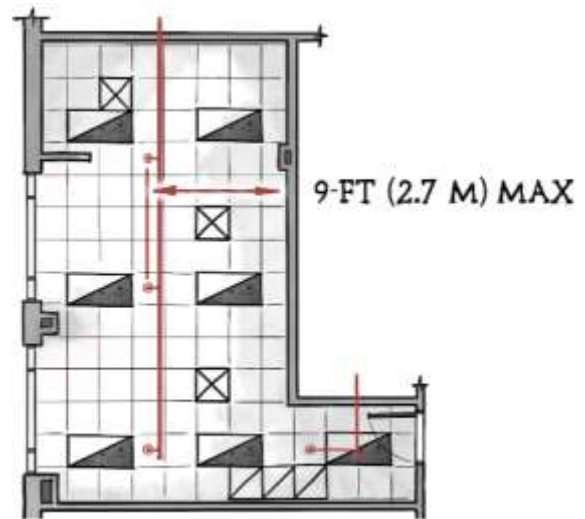
There are a few additional caveats:

- The distance from the sprinkler-to-wall is measured **perpendicular to the wall**.
- If a wall is **irregularly shaped**, then all points that the sprinkler is responsible for must be within 0.75 x the sprinkler-sprinkler spacing.
- Under the **Small Room Rule**, sprinklers are permitted to be spaced up to 9-ft (2.7 m) from any single wall, if the room qualifies as a small room.
- Sprinklers cannot be closer than 4-inches (100 mm) to an adjacent wall.



Maximum Limits for Irregularly Shaped Walls (Light Hazard)

(A light hazard example; note the maximum distance to the corner is 0.75 x sprinkler-sprinkler spacing)



The Small Room Rule

(For compartments that are light hazard, unobstructed, and less than 800 square feet (74 sq m), sprinklers may be spaced to a single wall at 9-ft (2.7m) or less)

CODE/STANDARD REFERENCES



- NFPA 13 – 2022: 9.5.3.2 Maximum Distance from Sprinklers to Walls (all sprinkler types)
- NFPA 13 – 2022: 9.5.3.3 Minimum Distance from Sprinklers to Walls (all sprinkler types)
- NFPA 13 – 2022: 10.2.5.2 Maximum Distance from Sprinklers to Walls (standard spray uprights & pendants)
- NFPA 13 – 2022: 10.2.5.2.3 Small Room Rule
- NFPA 13 – 2022: 3.3.40 Definition of Compartment

VIDEO LINK

www.meyerfire.com/university/sprinkler-to-wall-spacing-uprights-pendants

GET MORE LIKE THIS

This page is from MeyerFire University. Get updates & more here:
[Join MeyerFire University](#) | [Course & Video Catalog](#) | [Video Library](#)